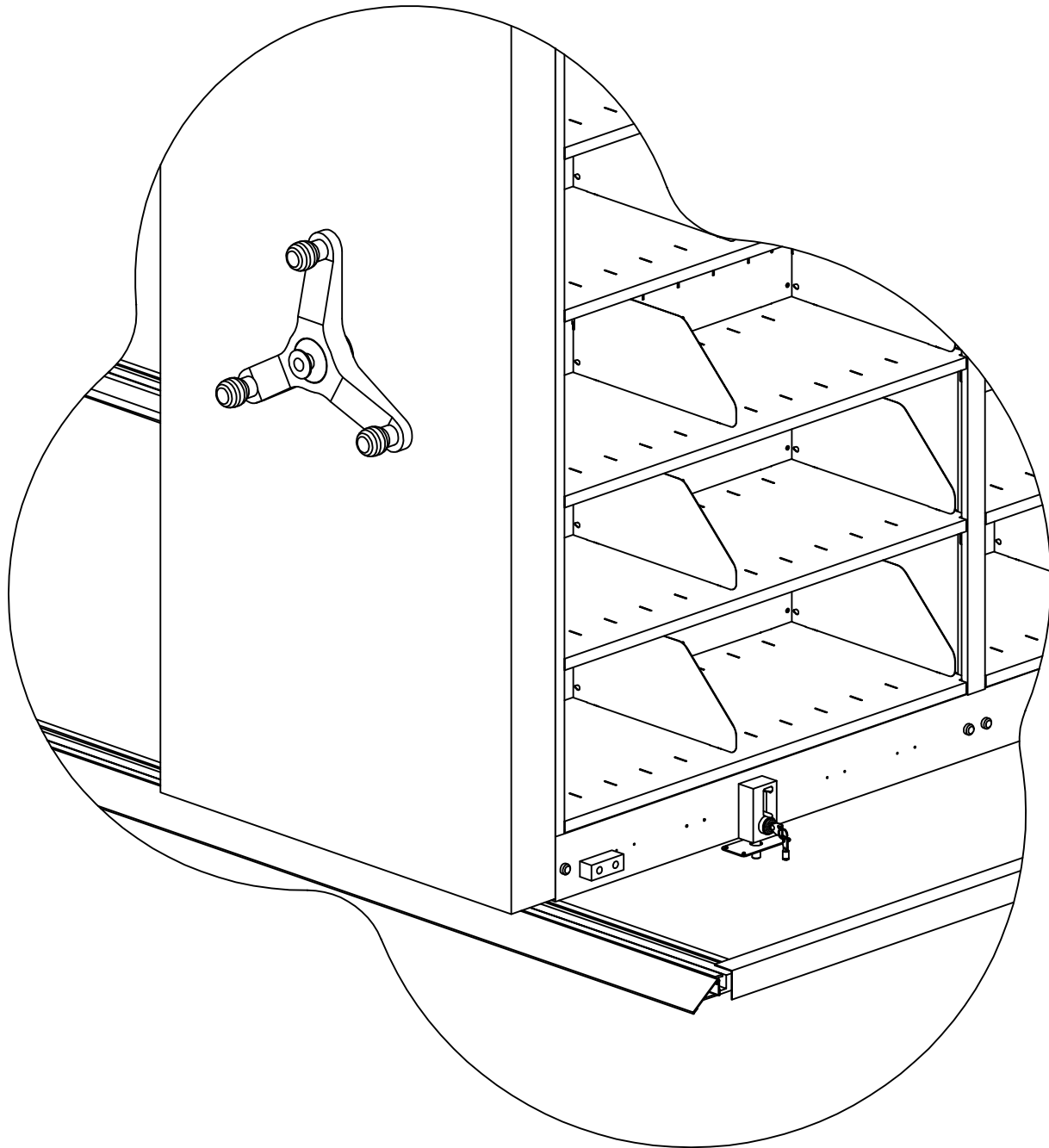


# Mobile Aisle 1000 Floor Lock Installation Instructions



## Tools Required:

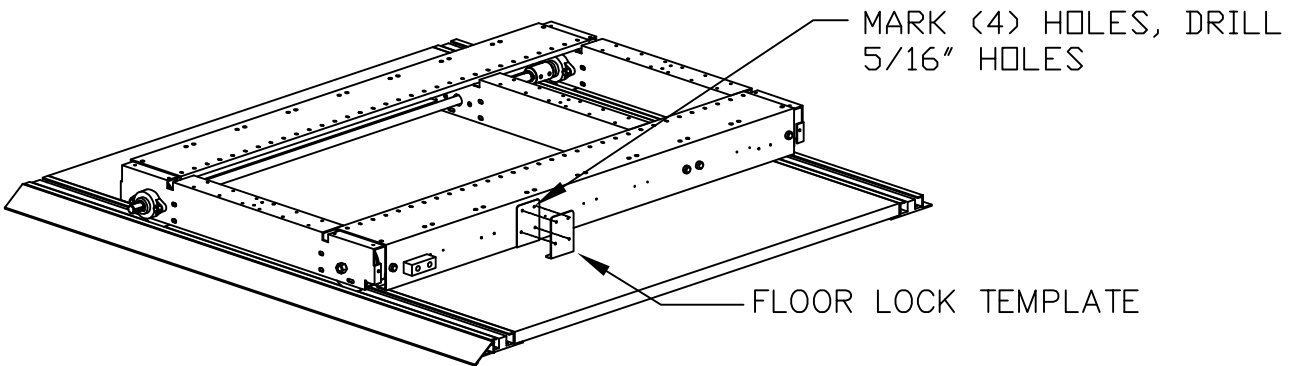
1. 5/16" drill bit (provided)
2. Drill (cordless or electric)
3. 3/16" x 6" T-Handle Allen Wrench (provided)

## 1. INSTALLATION OF MOBILE 1000 FLOOR LOCK:

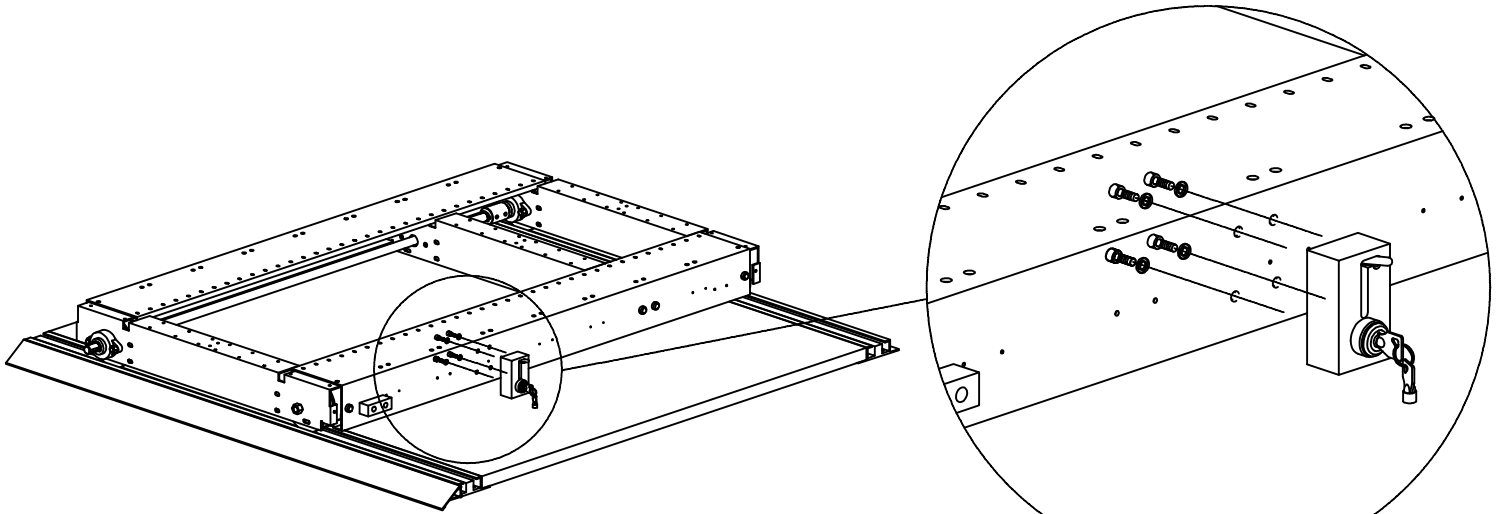
The Mobile 1000 Floor Lock is an optional item. Please review your Mobile 1000 Project Drawing to verify if a floor lock is to be installed into the system. Receive approval of final location for the Mobile 1000 Floor Lock from the end user.

The floor lock, hardware, floor lock template, and floor lock plate are all located in a box labeled FLLCK1M. The Floor Lock is a surface mounted lock that will be secured to the vertical face of the skirt.

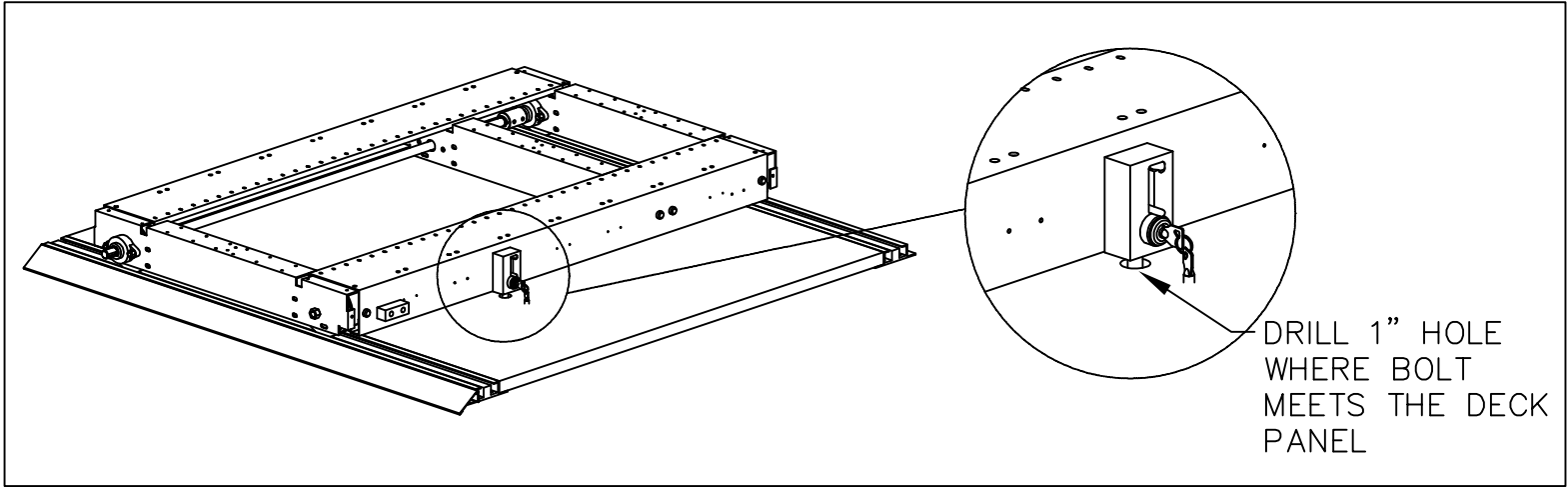
Once the appropriate location is determined, firmly hold the template up against the vertical face of the skirt and mark the 4 mounting holes with a marker. Then drill (4) 5/16" diameter holes (drill bit provided in hardware bag 913050) through the face of the skirt.



Using the (4) 1/4-20 x 5/8" Socket Head Cap Screws and (4) 1/4" Flat Washers, secure the floor lock to the skirt. Tighten the Cap Screws with the supplied 3/16" x 6" T-handle allen wrench.



After Floor Lock is mounted to the vertical surface of the skirt, compress all mobile systems to the closed position. Let the 1/2" bolt of the floor lock drop to the deck panels of the mobile 1000 system. Draw a circle around the perimeter of the bolt. Move the carriage out of the way and drill a hole using a 1" diameter spade bit (not provided).



The final step is to install the Floor Lock Plate over the 1" drilled hole in the deck panel. The Floor Lock Plate is screwed to the deck panels using (4) #8 x 5/8" Wood Screws found in hardware bag 913050. Once complete verify that the floor lock is operating properly.

